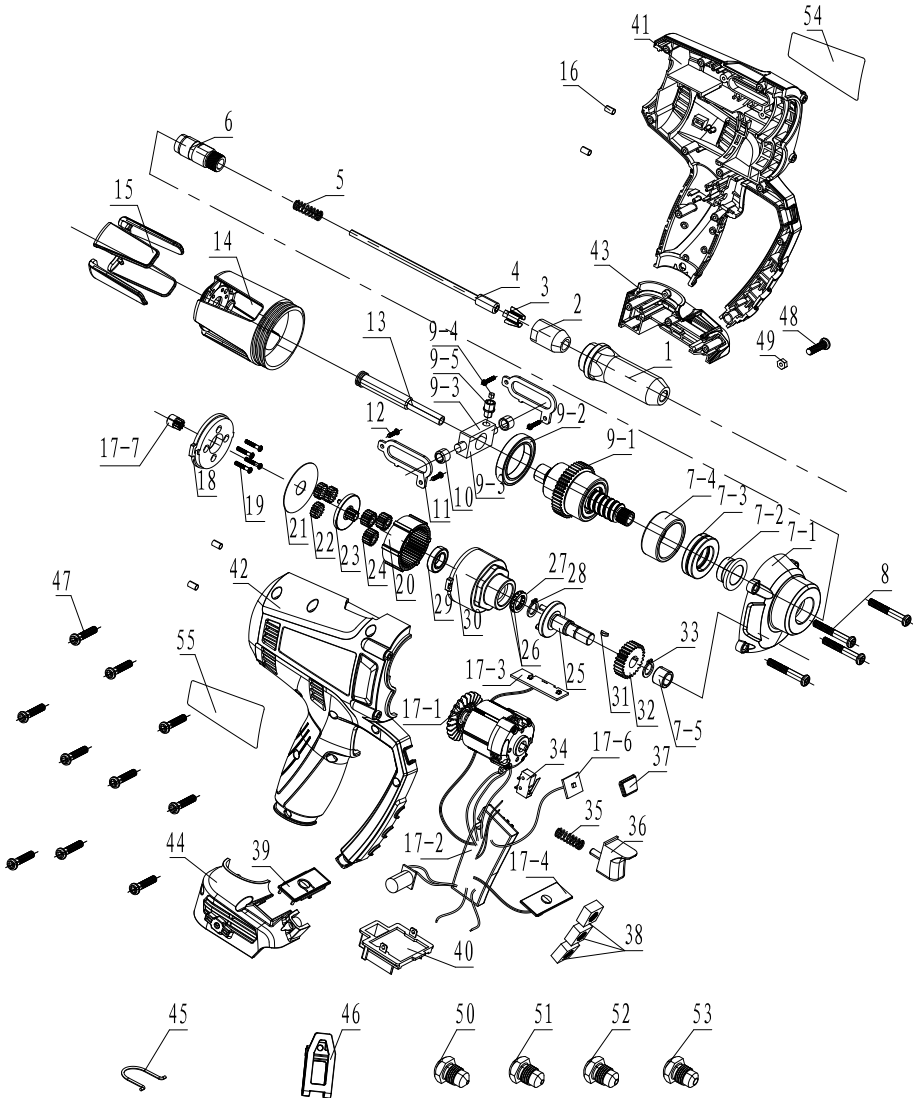


EXPLODED VIEW OF RDP-BRG20



RDP-BRG20 Spare parts list

NO.	Description	QTY	NO.	Description	QTY
1	Outer sleeve tube	1	20	internal gear round	1
2	Pull jaw sleeves	1	21	gear cover $\phi 43 \times \phi 12 \times 0.5$	1
3	Pull jaw blades	3	22	planet gear 4.8	3
4	Core pulling guide	1	23	planet carrier	1
5	Spring $\phi 1$	1	24	planet gear 7.5	3
6	top tube	1	25	output shaft	1
7	head box assembly	1	26	flat washer $\phi 18 \times \phi 12 \times 0.5$	2
7-1	head box	1	27	ball $\phi 3$	15
7-2	Guide sets	1	28	circlip for axes $\phi 12$	1
7-3	Flat rolling bearings 51104	1	29	bearing 61801	1
7-4	Needle bearing HK3016	1	30	gear box	1
7-5	Needle bearing HK1010	1	31	woodruff key	1
8	Screw ST4 $\times 25$	4	32	III class small gear	1
9	Ball screw rod assembly	1	33	circlip for axes $\phi 10$	1
9-1	Ball screw rod	1	34	micro switch	1
9-2	bearing 61806Z	1	35	Trip button spring	1
9-3	Process block	1	36	Switch press	1
9-4	magnetic steel $\phi 5 \times 6$	1	37	Lamp shielding	1
9-5	magnetic steel sleeve	1	38	square nut	3
10	Slide sleeve	2	39	Screen cover	1
11	Travel-block holder	2	40	Battery pack pins	1
12	Screw 3 $\times 8$	4	41	Left housing	1
13	Set nail mouth	1	42	Right housing	1
14	Set nail box	1	43	Left board	1
15	Set nail box cover	4	44	Right board	1
16	rubber column 5 $\times 8$	4	45	balance hook	1
17	Motor assembly	1	46	hook	1
17-1	Brushless motor	1	47	Screw 3 $\times 16$	13
17-2	Aluminum control box	1	48	Screw 4 $\times 8$	1
17-3	PCB(With led light)	1	49	locknut	1
17-4	display screen	1	50	Broach 2.4	1
17-5	capacitor	1	51	Broach 3.2	1
17-6	LED Light	1	52	Broach 4.0	1
17-7	Motor teeth	1	53	Broach 4.8	1
18	Motor cover	1	54	Parameter sticker	1
19	Screw 3.5 $\times 10$	4	55	Logo sticker	1